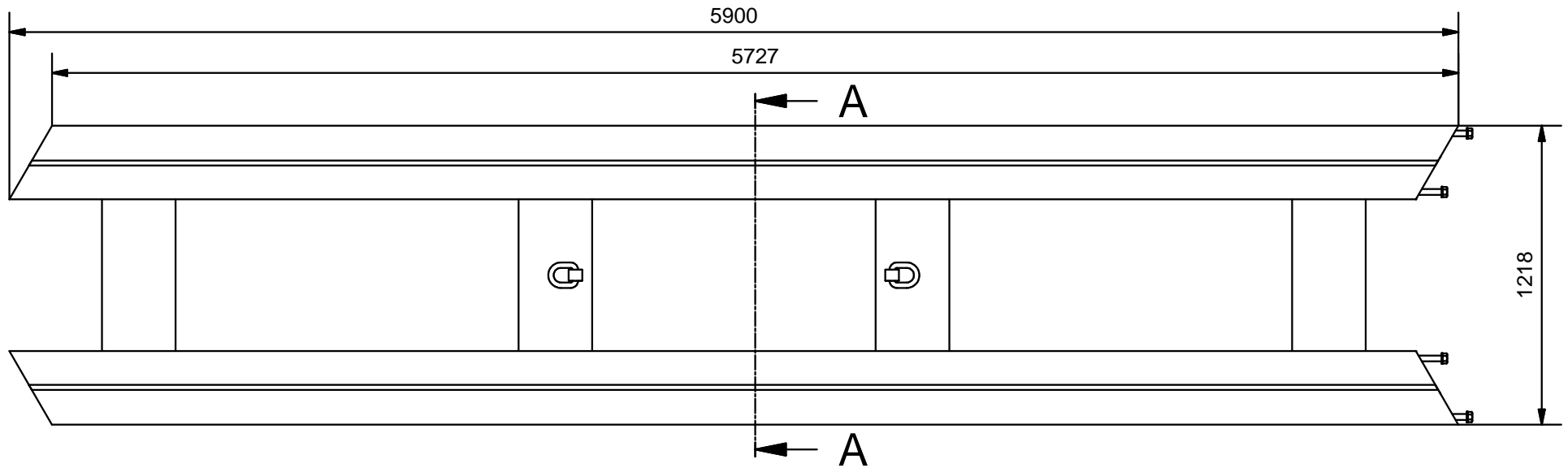
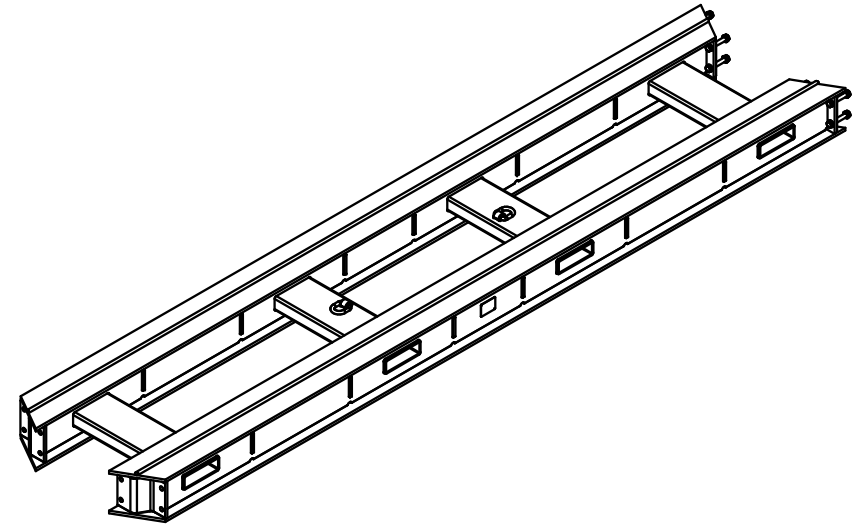
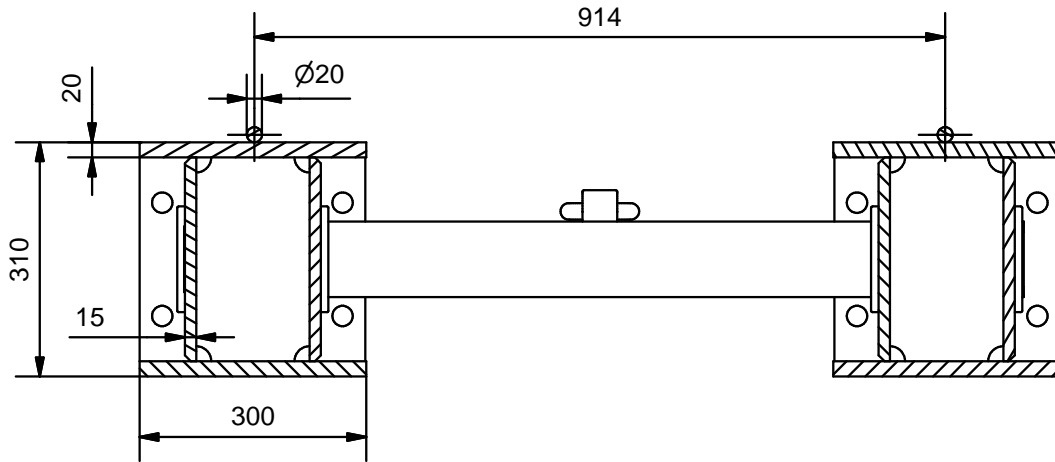


# Features STSBL-6

Gantry Types: SBL500 / SBL1000 / SBL1100

Self Weight: 2135 kg (4707 lbs)

## A-A (1:10)



OPAALSTRAAT 44, 7554 TS HENGELO HOLLAND  
PO BOX 421, 7550 AK HENGELO HOLLAND  
TELEPHONE 074-2422045 FACSIMILE 074-2430338

**ENERPAC**   
COPYRIGHTS RESERVED

3rd ANGLE  
PROJECTION



Model Number:

**STSBL-6**

Drawing Number:

**03134.50.01.00**

Main Assembly Number:

**03134.01.01.00**

REV.:  
**0**

DATE:  
**31-10-2013**

SCALE:  
**1:25**

FORM:  
**A4**